

Bemerkungen:

- Abhängig von der Bodenbeschaffenheit und Belastung ist bauseits laut Statik die Bewehrung durch den Baunternehmer zu erstellen nach EN 206-1 Qualität C20-25.
- Alle PVC-Rohre mit Deckel verschließen

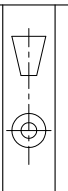
Orion	K	L	M	KG
10-200	9715	3950	9675	445
10-250				473
11-200	10728	4288	10688	492
11-250				522
12-200	11740	4625	11700	540
12-250				571



HERAS Products
 P.O. Box 30, 5688 ZG Orschot, The Netherlands
 T +31 (0)499-551255 E info@heras.nl
 F +31 (0)499-551786 I www.heras.nl

FUNDAMENT ZEICHNUNG ORION LINKS

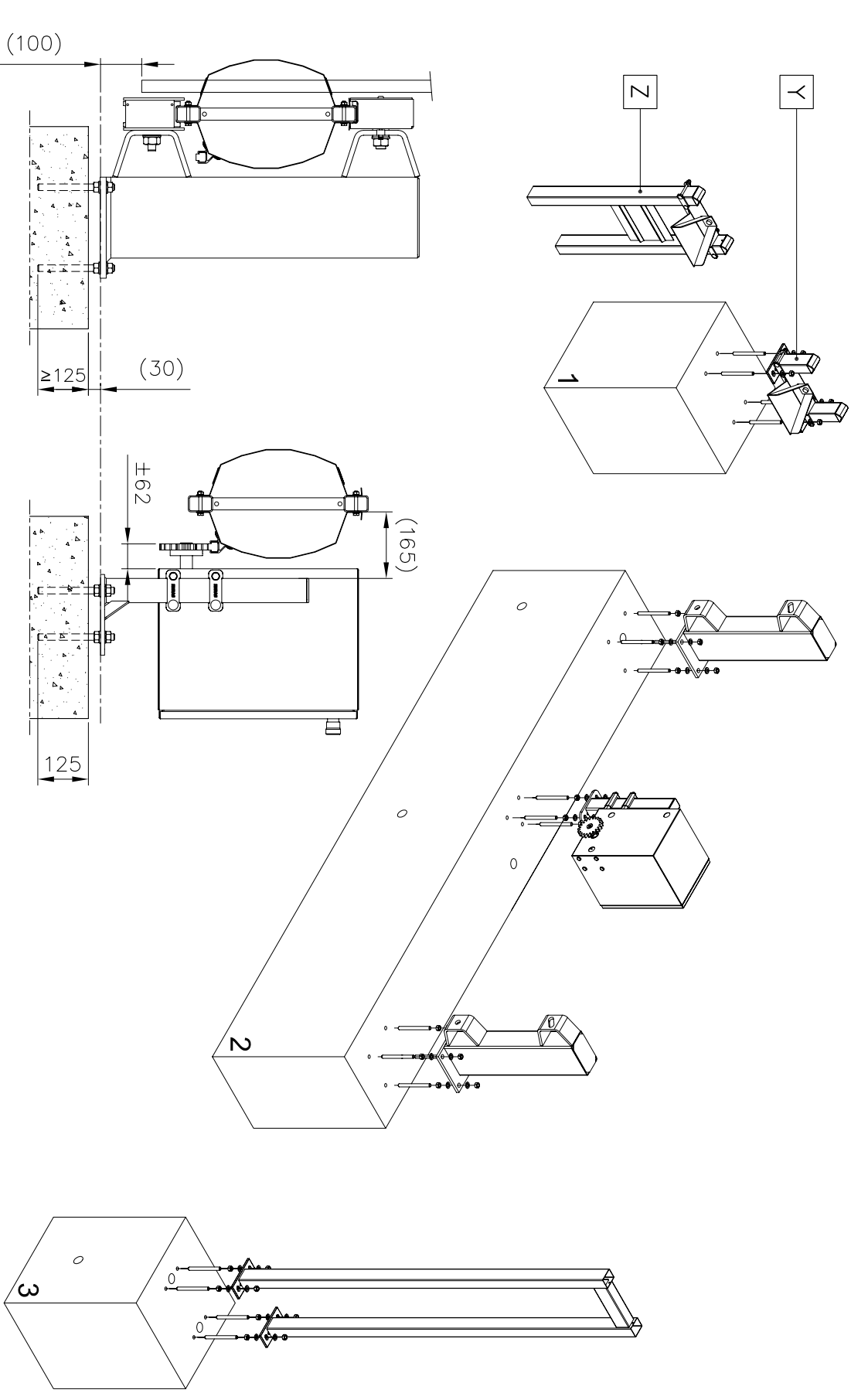
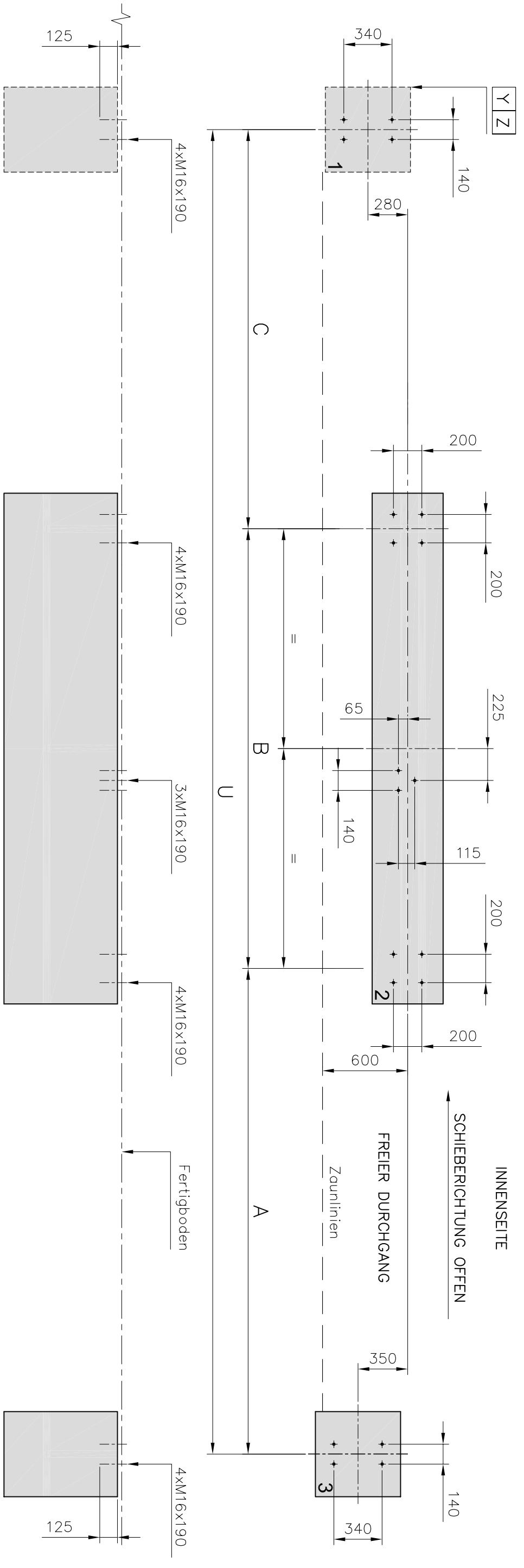
no.	revision	date	010717	project		name	EF	030708	checked by
scale	1:20	drawn by	EEM	tolerance	±10	sheet	1	2	format
checked by	JR	unit	mm	drawing title	FUNDAMENT ZEICHNUNG ORION LINKS				



American projection

drawing no. rev. no.
 p02964 / 5

This drawing is property of HERAS. Reproduction or disclosure to third parties in any form whatsoever is not allowed without explicit written consent of HERAS.



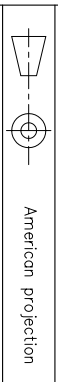
Orion	A (max.)	B	C (max.)	U
10m	10265	3450	10225	23940
11m	11278	3788	11238	26303
12m	12290	4125	12250	28665

5	update for IT/ZT	EF	030708	
no.	revision	name	date	checked by
scale :	1:20	date :	010717	sheet :
drawn by :	EEM	tolerance :	±10	format :
checked by :	JR	unit :	mm	2 v 2
drawing title :				A2



FUNDAMENT ZEICHNUNG ORION LINKS

Herco Products
 P.O. Box 30, 5688 ZG Orschoot, The Netherlands
 T +31 (0)499-551255 E info@hercas.nl
 F +31 (0)499-551786 I www.hercas.nl



American projection drawing no. p02964 / 5 rev. no. 5

This drawing is property of HERFAS. Reproduction or disclosure to third parties in any form whatsoever is not allowed without explicit written consent of HERFAS.